

Telescoping Valves

Amwell telescoping valves offer fast, easy and accurate control of sludge draw-off from settling tanks or other sources.

Choose standard valve sizes from 3" to 24" diameters and your choice of manually operated or motor controlled units. Motorized units offer control from remote locations.

Amwell telescoping valves give you control and dependability.

- 3" through 24" diameter valves
- Stainless steel wetted parts
- Manually operated or motorized control
- Acme threaded rod or rack and pinion design
- Indicating or non-indicating
- Corrosion resistant



Your natural resource...

AMWELL®



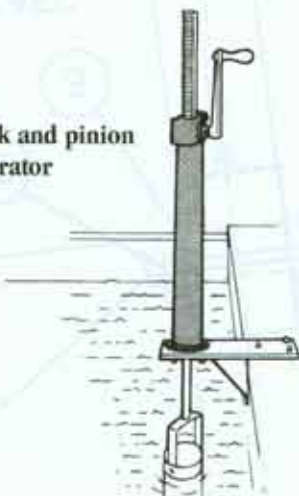
Quality

Corrosion Resistant Valves

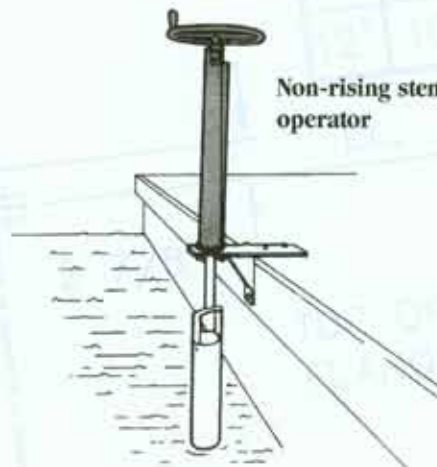
Slip tubes are made of stainless steel construction, in sizes from 3" through 24" diameters. Motorized and manually adjusted valves are available in all sizes. Motorized units offer fast, easy control from remote locations. Units are available with either rack and pinion or rotary hand wheel crank adjustment.



Rack and pinion operator



Non-rising stem operator



For comprehensive product specifications, drawings and additional options for any system, contact Amwell headquarters, or your local Amwell Representative.

AMWELL
A DIVISION OF McNISH CORPORATION

600 N. Commons Drive, Suite 116 • Aurora, IL 60504 • Phone: 630-898-6900 • Fax: 630-898-1647
E-mail: amwell@amwell-inc.com • Internet: www.amwell-inc.com